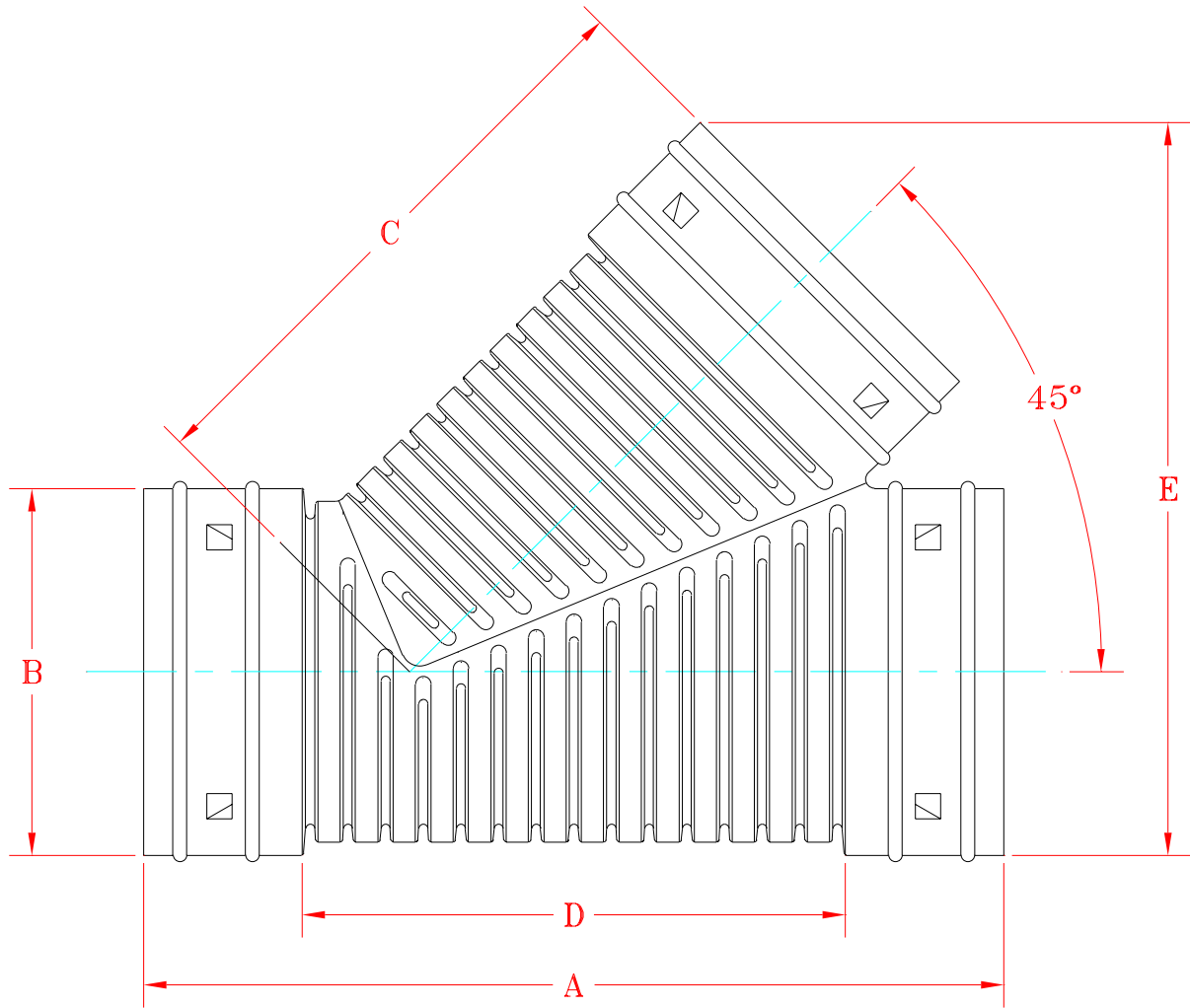



WYES



PART Nº	PIPE SIZE	A	B	C	D	E
0322-AA	3"	10.5"	4"	7"	6.375"	8.375"
	75 mm	267 mm	102 mm	178 mm	162 mm	213 mm
0422-AA	4"	11.625"	5.125"	7.625"	7.25"	9.75"
	100 mm	295 mm	130 mm	194 mm	184 mm	248 mm
0522-AA	5"	13.625"	6.25"	9.25"	8.75"	11.875"
	125 mm	346 mm	159 mm	235 mm	222 mm	302 mm
0622-AA	6"	16"	7.375"	11.125"	11.375"	14.125"
	150 mm	406 mm	187 mm	283 mm	289 mm	359 mm
0822-AA	8"	19.25"	10"	13.5"	14.875"	18.75"
	203 mm	488 mm	254 mm	342 mm	377 mm	463 mm

NOTE: ALL DIMENSIONS ARE NOMINAL

 ADVANCED DRAINAGE SYSTEMS, INC.			REVISIONS	
			BY	DATE
DRAWN BY M.D.S. 6-10-95		APPROVED BY N.E.K. 6-10-95	DRAWING # SW-121	