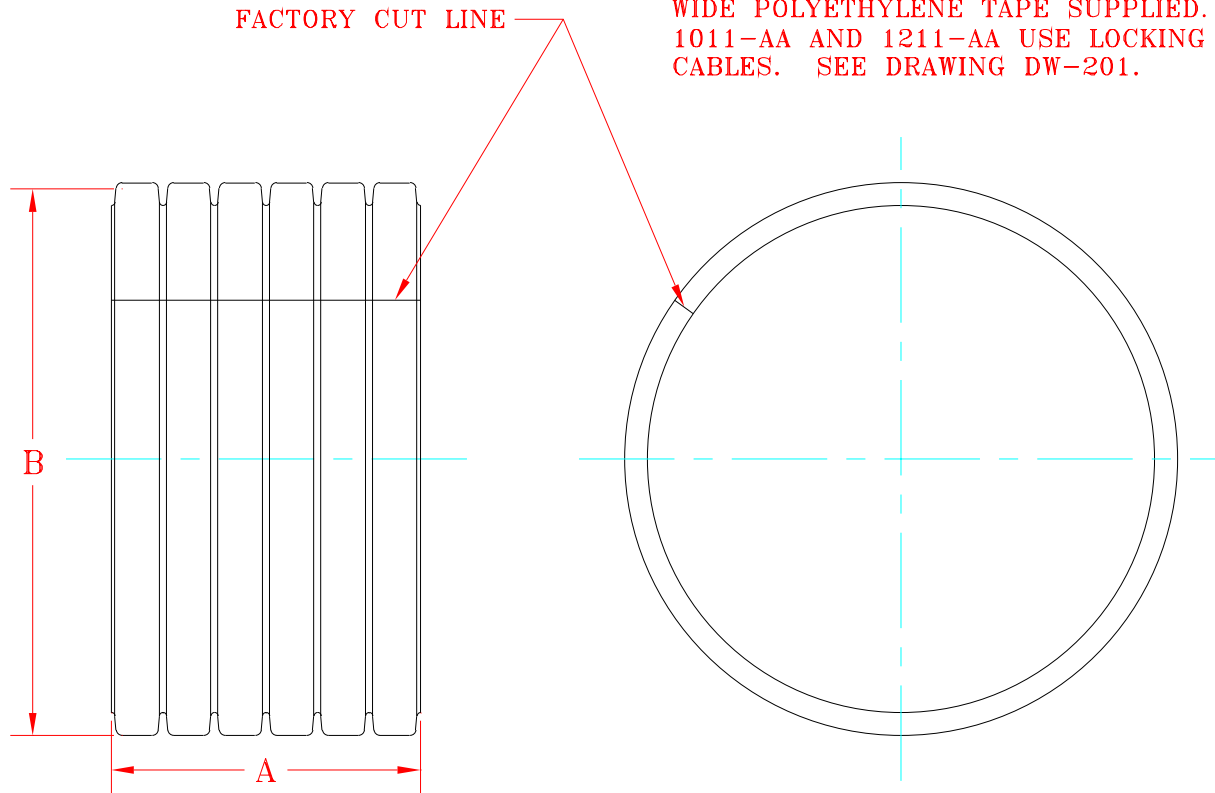


SINGLE WALL SPLIT COUPLERS


COUPLERS BOUND BY WRAPPING 2" WIDE POLYETHYLENE TAPE SUPPLIED. 1011-AA AND 1211-AA USE LOCKING CABLES. SEE DRAWING DW-201.



PART NO	PIPE SIZE	A	B
0311-AA	3" 75 mm	3" 76 mm	4" 102 mm
0411-AA	4" 100 mm	3.75" 96 mm	5.125" 130 mm
0511-AA	5" 125 mm	4" 102 mm	6.25" 159 mm
0611-AA	6" 150 mm	4" 102 mm	7.375" 187 mm
0811-AA*	8" 200 mm	6" 152 mm	10" 254 mm
1011-AA*	10" 250 mm	5.5" 140 mm	12.5" 318 mm
1211-AA	12" 300 mm	8.25" 210 mm	15.5" 394 mm

* DENOTES PARTS THAT CAN ALSO BE USED ON DUAL WALL PIPE

NOTE: ALL DIMENSIONS ARE NOMINAL

			REVISIONS	
			BY	DATE
DRAWN BY M.D.S. 6-10-95	APPROVED BY N.E.K. 6-10-95	DRAWING # SW-101		