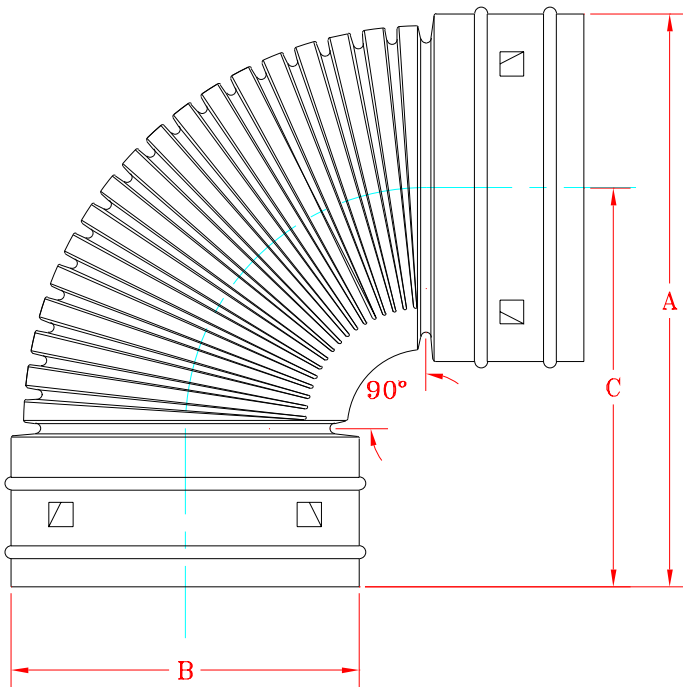
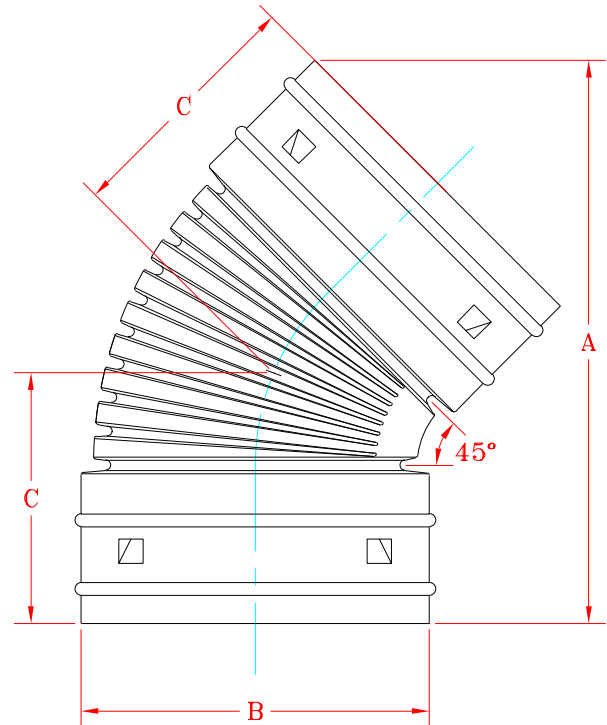


# SINGLE WALL SNAP ELBOWS

90° ELBOW




45° ELBOW



PART N <sup>o</sup>	PIPE SIZE	A	B	C
0390-AA	3"	7.375"	4"	5.375"
90° ELBOW	75 mm	187 mm	102 mm	137 mm
0490-AA	4"	7.875"	5.125"	5.25"
	100 mm	200 mm	130 mm	133 mm
0445-AA	4"	7.5"	5.125"	3.75"
45° ELBOW	100 mm	190 mm	130 mm	86 mm

NOTE: ALL DIMENSIONS ARE NOMINAL

 ADVANCED DRAINAGE SYSTEMS, INC.			REVISIONS	
			BY	DATE
DRAWN BY	APPROVED BY	DRAWING #		
M.D.S. 6-10-95	N.E.K. 6-10-95	SW-111		